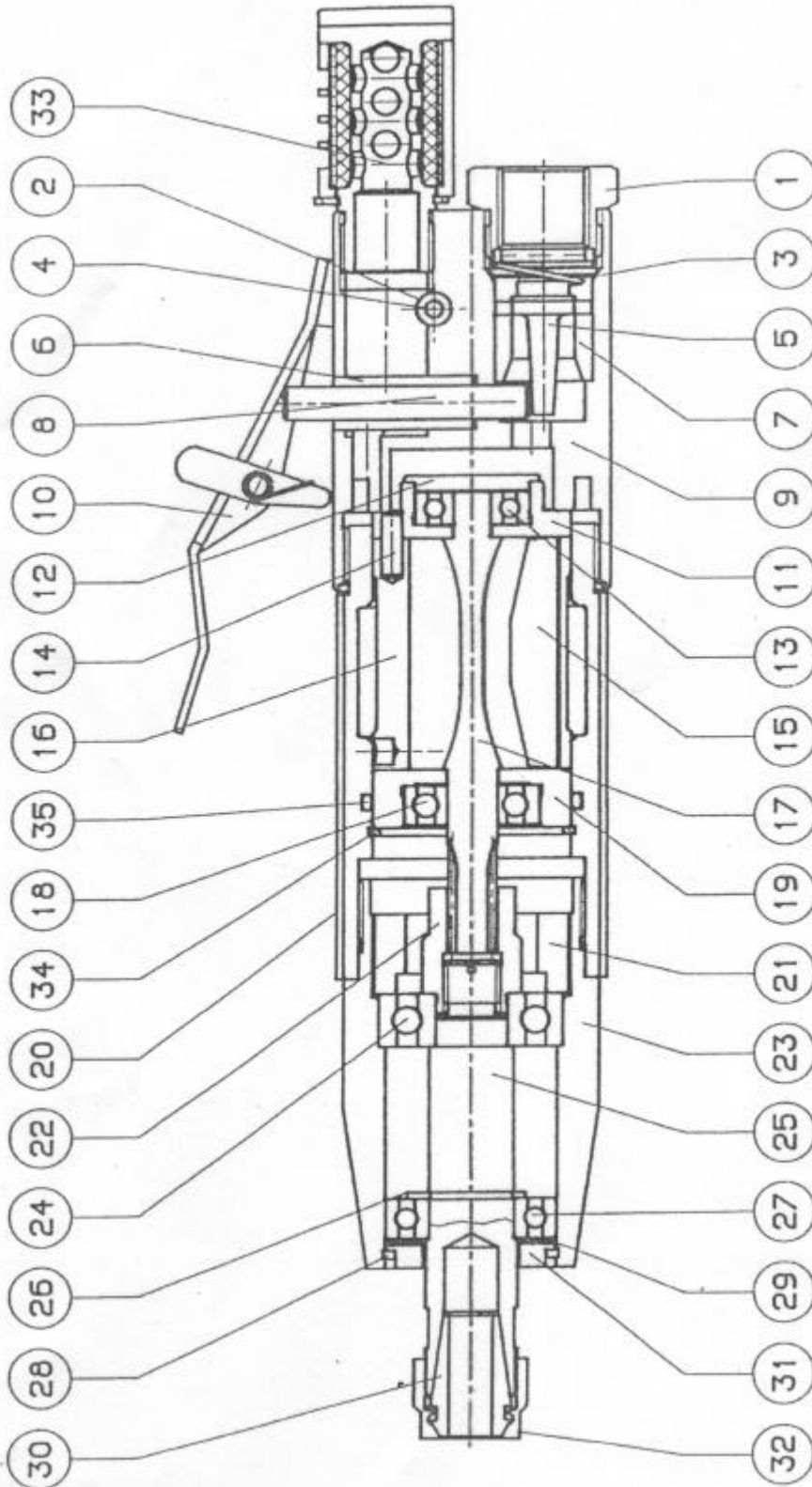


AMOLADORA RECTA 22.000 rpm



CALIDAD Y SERVICIO

Modelo: **SMS 30 DCZ**



AMOLADORA RECTA 22.000 rpm



Modelo: **SMS 30 DCZ**

CALIDAD Y SERVICIO

Nº	C. PROV.	CANT.	DESCRIPCION	DESCRIPCION
0:10	214609050	1	GR. PRESA ARIA	AIR INLET ASEMBLY
11:19	234602000	1	GR. MOTORE	MOTOR ASEMBLY

Nº	C. PROV.	CANT.	DESCRIPCION	DESCRIPCION
1	306371010	1	SG. RACCORDO	CONNECTOR
2	404805006	1	BOCCOLA PER LEVA	BUSHING
3	595200806	1	MOLLA	SPRING
4	594203004	1	SPINA	PIN
5	214802150	1	VALVOLA	VALVE
6	404805005	1	BOCCOLA	BUSHING
7	404805010	1	BOCCOLA	BUSHING
8	549505035	1	RULLINO	PIN
9	214609050	1	CORPO PRESA ARIA	CONTROL TOP
10	304845010	1	SG. LEVA	LEVER
11	234601200	1	FLANGIA POST.	END PLATE REAR
12	404879030	1	TAPPO	PLUG
13	541305025	1	CUCSCINETTO	BEARING
15	525003010	1	SPINA	PIN
15	234805300	4	PALETTA	VANE
16	234601050	1	CAMINCIA	CYLINDER
17	234602100	1	ROTORE	ROTOR
18	541007030	1	CUSCINETTO	BEARING
19	234601150	1	FLANGIA ANT.	END PLATE FRONT
20	304810025	1	SG. CANNOTTO	TUBE
21	404639030	1	GHIERA	NUT
22	404636020	1	GIUNTO	COUPLING
23	404865056	1	PROLUNGA	ADAPTOR
24	541010044	1	CUSCINETTO	BEARING
25	404602030	1	ALBERO	SPINDLE
26	526112000	1	ANELLO ELASTICO	RING
27	541012039	1	CUSCINETTO	BEARING
28	526624800	1	ANELLO ELASTICO	RING
29	528017525	1	ANELLO COMP.	SPRING
30	660431010	1	PINZA Ø 1	COLLET Ø 1
	660431015	1	PINZA Ø 1.5	COLLET Ø 1.5
	660431020	1	PINZA Ø 2	COLLET Ø 2
	660431025	1	PINZA Ø 2.5 - 3/32"	COLLET Ø 2.5 - 3/32"
	660431030	1	PINZA Ø 3	COLLET Ø 3
	660431035	1	PINZA Ø 3.5	COLLET Ø 3.5
	660431040	1	PINZA Ø 4 - 1/8"	COLLET Ø 4,- 1
	660431045	1	PINZA Ø 4.5	COLLET Ø 4.5
	660431050	1	PINZA Ø 5 - 3/16"	COLLET Ø 5 - 3/16"
	660431055	1	PINZA Ø 5.5	COLLET Ø 5,5
	660431060	1	PINZA Ø 6	COLLET Ø 6
	660431065	1	PINZA Ø 6,5-1 14	COLLET Ø 6,5- 114"
660431070	1	PINZA Ø 7	COLLET Ø 7	
31	404825005	1	ESTREMITA	NOSE
32	294601700	1	GHIERA	NUT
33	304878052	1	SG. SILENZATORE	SILENCER
34	526630200	1	ANELLO ELASTICO	RING
35	530128317	1	GUARNIZIONE	O-RING